

TC-YS VALVE

800 WOG Y STRAINER, THREADED, SOCKET-WELD

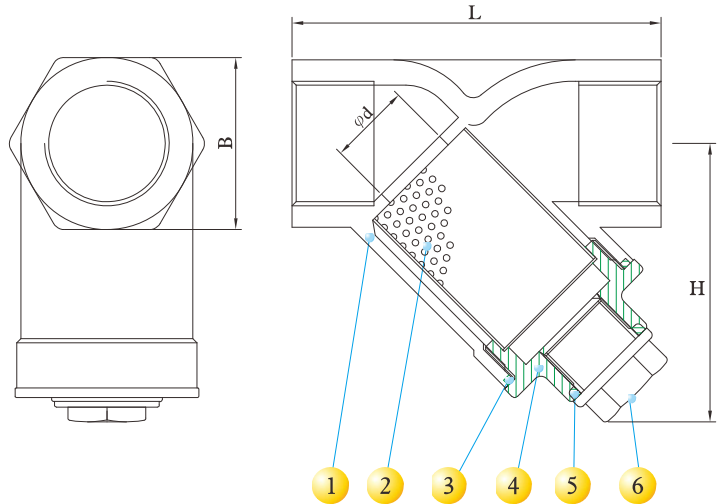


DESIGN FEATURES:

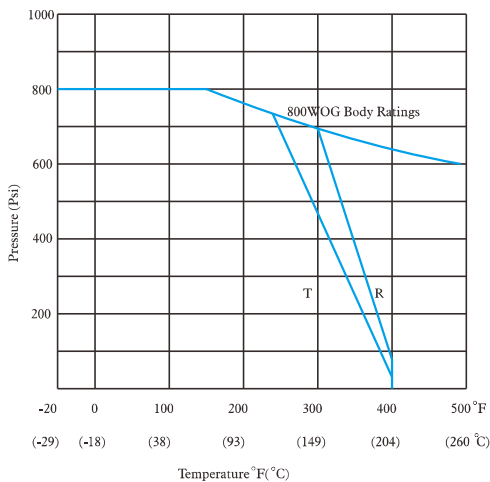
- Body: ASTM A351 Gr.CF8M
- Screen: SS316
- Packing: PTFE
- Working Pressure: 800 psi
- TEST STANDARD: API 598
- End Connections: Threaded End
Socket-Weld End
- Threaded Type:
ANSI B1.20.1 (NPT)
DIN 259 / DIN 2999
ISO 228
BSP
PT

MATERIALS LIST

NO	PARTS NAME	SPECIFICATION	Q, TY
1	BODY	ASTM A-351 Gr. CF8M	1
2	SCREEN	12MESH (SS316)	1
3	GASKET	PTFE	1
4	BONNET	ASTM A-351 Gr. CF8M	1
5	PLUG GASKET	PTFE	1
6	PLUG	ASTM A-351 Gr. CF8M	1



PRESSURE TEMPERATURE RATINGS



DIMENSIONS

SIZE		d		B		H		L		Weight	
inch	mm	inch	mm	inch	mm	inch	mm	inch	mm	Kg	Lb
1/4"	8	0.43	11	0.91	23	1.81	46	2.56	65	0.24	0.53
3/8"	10	0.51	13	0.91	23	1.81	46	2.56	65	0.23	0.5
1/2"	15	0.59	15	1.02	26	1.81	46	2.56	65	0.23	0.5
3/4"	20	0.79	20	1.26	32	2.17	55	3.15	80	0.36	0.79
1"	25	0.98	25	1.61	41	2.76	70	3.54	90	0.70	1.54
1-1/4"	32	1.26	32	2.01	51	2.87	73	4.13	105	0.90	1.98
1-1/2"	40	1.57	40	2.24	57	3.19	81	4.72	120	1.20	2.64
2"	50	1.97	50	2.72	69	3.70	94	5.51	140	1.90	4.19
2-1/2"	65	2.56	65	3.43	87	4.72	120	6.69	170	4.30	9.47
3"	80	3.15	80	4.02	102	5.51	140	7.87	200	6.30	13.88



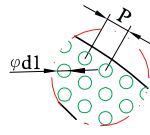
TC-YSF VALVE

150# R.F. FLANGED Y STRAINERS STAINLESS STEEL



DESIGN FEATURES:

- Body: ASTM A351 Gr.CF8M
- Screen: SS304
- Gasket: PTFE
- Flange Dimensions: ANSI B16.5 150 #
- TEST STANDARD: API 598



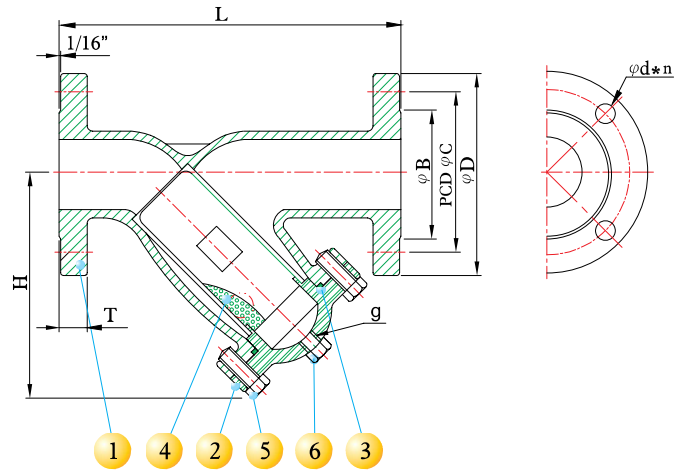
Screen Detail

SIZE		d1		P	
inch	mm	inch	mm	inch	mm
2"	50	0.04	1	0.08	2
3"	80	0.04	1	0.08	2
4"	100	0.04	1	0.08	2
6"	150	0.12	3	0.20	5

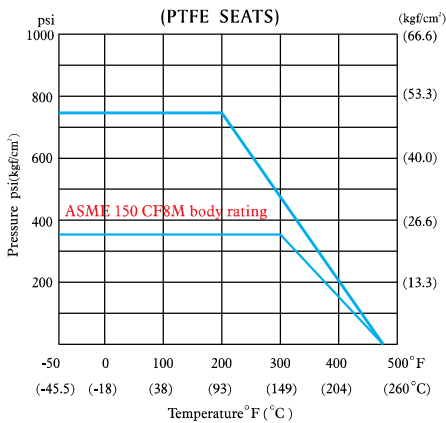
MATERIALS LIST

NO.	PART NAME	MATERIAL	QTY
1	BODY	ASTM A351 Gr.CF8M	1
2	CAP	ASTM A351 Gr.CF8M	1
3	GASKET	PTFE	1
4	SCREEN	* SS304	1
5	BOLT	ASTM A193 B8	4~8
6	PLUG	SS316	1

* 316 SCREENS AVAILABLE UPON REQUEST



PRESSURE TEMPERATURE RATINGS



DIMENSIONS

SIZE		B		C		D		d		H		L		n	T		g	Cv Factor	Weight	
inch	mm	inch	mm	inch	mm	inch	mm	inch	mm	inch	mm	inch	mm		inch	mm			Kg	Lb
2"	50	3.62	92	4.74	120.5	5.98	152	0.75	19	5.75	146	8.58	218	4	0.63	15.9	1/2"	500	13	28.6
2 1/2"	80	4.13	105	5.49	139.5	7.00	178	0.75	19	7.09	180	10.28	261	4	0.69	17.5	3/4"	850	23	50.6
3"	80	5.00	127	6.00	152.5	7.48	190	0.75	19	7.87	200	11.61	295	4	0.75	19.1	1"	1150	25	55.1
4"	100	6.18	157	7.50	190.5	9.02	229	0.75	19	9.45	240	14.21	361	8	0.94	23.9	1 1/2"	2120	33	72.7
6"	150	8.50	216	9.51	241.5	10.98	279	0.87	22	13.39	340	18.46	469	8	1.00	25.4	2"	5100	76	167.4

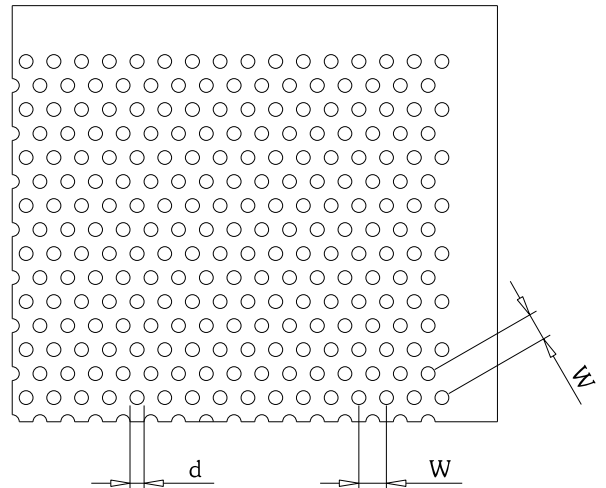
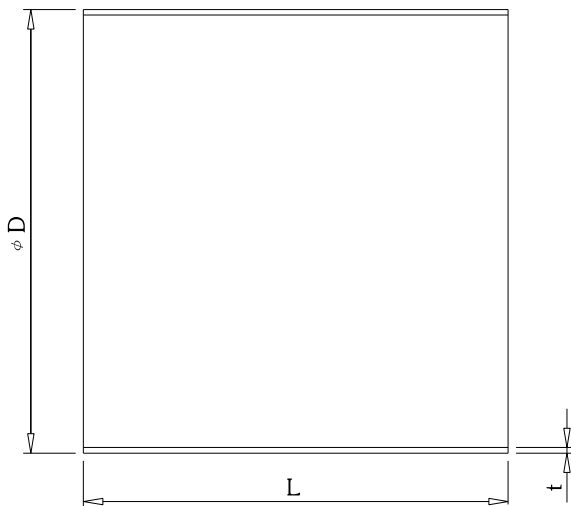
Y STRAINER

SCREEN FOR TC-YS / TC-YSF (Y STRAINER)



● Material: SS316

● Material: SS304



TC-YS 800 WOG THREADED, SOCKET-WELD Y STRAINER

TC-YSF 150# R.F. FLANGED Y STRAINERS

DIMENSIONS

SIZE	D		L		W		d		t	
	inch	mm	inch	mm	inch	mm	inch	mm	inch	mm
1/4", 3/8", 1/2"	0.787	20	1.102	28.0	0.079	2	0.039	1	0.016	0.4
3/4"	0.984	25	1.535	39.0	0.079	2	0.039	1	0.016	0.4
1"	1.260	32	1.890	48.0	0.079	2	0.039	1	0.016	0.4
1-1/4"	1.496	38	2.087	53.0	0.079	2	0.039	1	0.016	0.4
1-1/2"	1.732	44	2.461	62.5	0.079	2	0.039	1	0.016	0.4
2"	2.205	56	2.953	75.0	0.079	2	0.039	1	0.016	0.4
2-1/2"	2.874	73	3.543	90.0	0.079	2	0.039	1	0.016	0.4
3"	3.465	88	3.898	99.0	0.079	2	0.039	1	0.016	0.4

DIMENSIONS

SIZE	D		L		W		d		t	
	inch	mm	inch	mm	inch	mm	inch	mm	inch	mm
2"	1.890	48	4.409	112.0	0.079	2	0.039	1	0.020	0.5
2-1/2"	2.480	63	5.906	150.0	0.079	2	0.039	1	0.020	0.5
3"	3.189	81	6.457	164.0	0.079	2	0.039	1	0.020	0.5
4"	3.622	92	7.717	196.0	0.079	2	0.039	1	0.031	0.8
6"	5.906	150	11.417	290.0	0.197	5	0.118	3	0.039	1.0